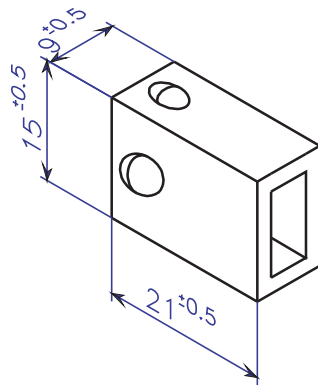


Dimple position



OAL	785	WL1	230
CL	700	WL2	1200
Mark 1	TLF France + lot	Mark 2	JHT235V500W 700BfU2

Tube: Translucent

Wire: SILIFLON UL 1727 AWG 18 250°C 600V Color: WHITE
OMERIN or equivalent

Terminal: Splice RSB 7792.002V-1.5 STOCKO or equivalent

Dimples: 14 positions

Specifications:

Nominal voltage: 235 V

Wattage: 500 W ± 5%

Average life: 5000 Hrs (with AC power supply, 50 or 60 Hz,
continuously at room temperature and free from vibration)

Lighting position: Universal

Tc 1750 K

Strength test:

- Wire harness shall withstand tensile load of 49 N (5 Kgf)

Type: InfraRed Halogen Heater Lamp JHT 235V 500W 700 BfU2		Modif.:	
		Date:	
Date: 31-10-19	TOSHIBA LIGHTING PRODUCTS (France) S.A.	Version EM-3143	Comments